

MBPKG-F Maxa Beam Handheld Searchlight

rev. 01/23



MBPKG-F Maxa Beam Force Protection Package

NSN 6230-01-485-7838

Designed for maritime security aboard U.S. Navy vessels, with a 12,000,000 CandlePower Maxa Beam Searchlight, three LiFePO4 batteries, IR filter, and spares kit.

Key Features

- 12,000,000 Peak Beam CandlePower output
- 3,500 meter range (1 lux on target)
- 85 watt Xenon short arc lamp
- Infrared illumination capability
- Motorized beam width adjustment
- Strobe mode
- Battery fuel gauge upgrade available *(details on page 3)*



Typical Applications

- Long Range Illumination (Visible/Infrared)
- Border Security
- Maritime and Harbor Security
- Surveillance (Visible/Infrared)
- Shipboard Protection

Maxa Beam Searchlight End-Users Include

- U.S. Border Patrol
- U.S. Armed Forces (all branches)
- U.S. Department of Energy
- U.S. Secret Service
- Federal Law Enforcement (FBI, U.S. Marshals)

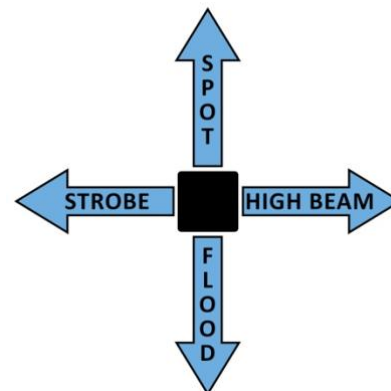
PERFORMANCE

Output	12,000,000 Peak Beam CandlePower (-10% minimum threshold; no maximum threshold)
Range	0.25 lux @ 6,925meters 1 lux @ 3,500 meters 12 lux @ 1,000 meters <i>Visible ranges per ANSI/NEMA FL1: Flashlight Basic Performance Standard</i>
Lamp	85 Watt Xenon Short Arc, Instant hot/cold start and restrike

USER CONTROLS

Beam Width	Motorized Adjustment from 1° Spot to 40° Flood
Beam Intensity	3 Levels; Optional Low Beam is User-Programmable
Disorienting Strobe Function	Default Frequency of 10Hz and Duty Cycle of 38%. User-Adjustable Frequency from 1-31Hz User-Adjustable Duty cycle from 3-63%
Controllable Functions	On/Off, Beam Intensity, Beam Width, Strobe
Customizable Settings	Default Beam Width and Intensity Spot and Flood Limits Strobe Frequency and Duration Continuous (Latched) High and Strobe

Default 4-Way Switch Functions



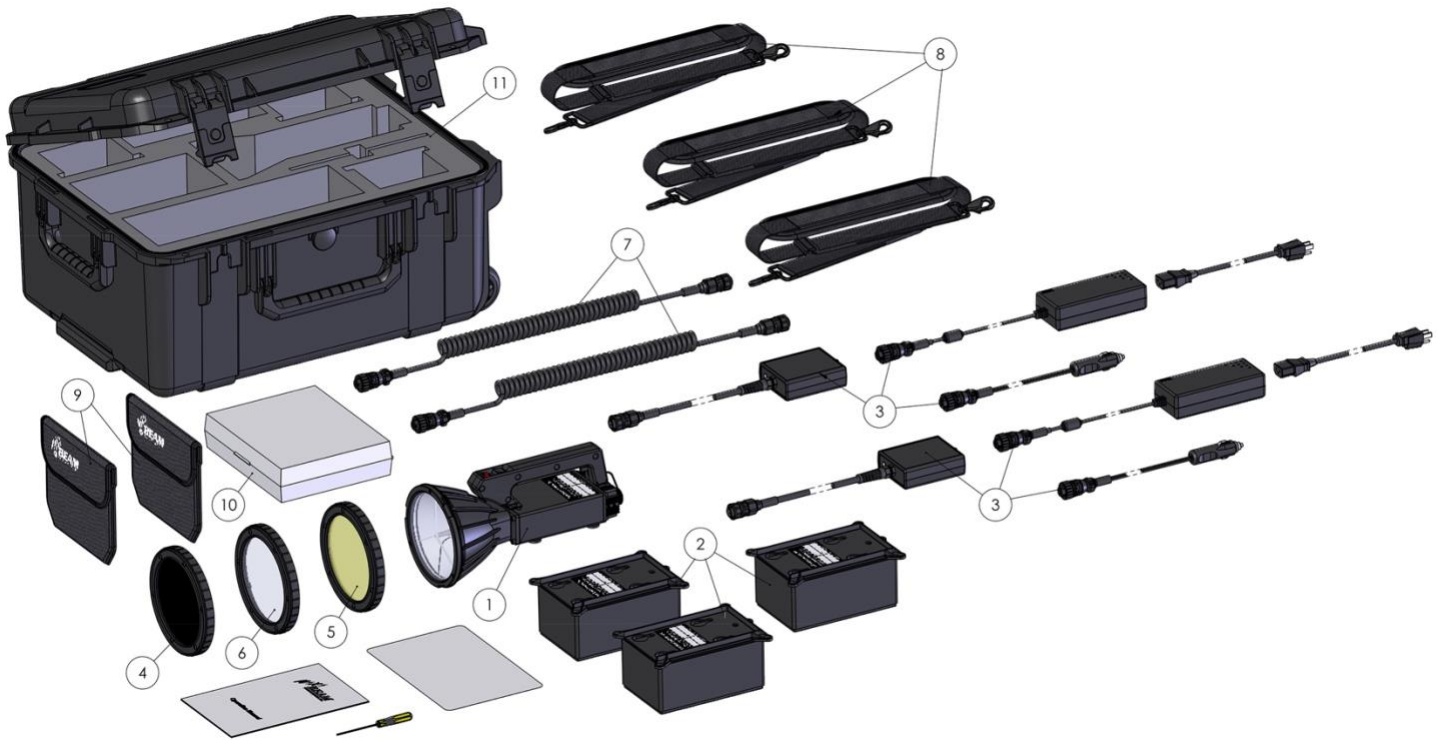
Consult the Operation Manual for complete programming and control options.

MBPKG-F Maxa Beam Handheld Searchlight

rev. 01/23



PACKAGE CONTENTS



ID	Part Number	Description	Qty.
1	MBS-410	12,000,000 CandlePower Maxa Beam Searchlight	1
2	MBP-1308	Lithium Iron Phosphate (LiFePO4) Battery	3
3	MBP-3200-AD	Multi-Voltage Smart Charger, AC/DC	2
4	MBA-1850	850nm Infrared Filter	1
5	MBA-1500	Amber Smoke/Fog Filter	1
6	MBA-2005	Sacrificial Lens	1
7	MBA-8105-L	5 Foot Coiled Power Cord	2
8	MBA-6005	Battery Shoulder Strap	3
9	MBA-6100	Padded Filter Pouch	2
10	MBA-2400N	Spare Lamp, Lens & Power Connectors Kit	1
11	MBA-6250-W	Wheeled Storage Case with Die-Cut Foam	1

ENVIRONMENTAL

Ingress Protection	IP65 per CEI/IEC 60529:2001
Operating Temperature	-15°C to +60°C Reduced Battery Run Time Below 0°C
Housing	Polyester Powder-Coated Aluminum with Corrosion-Resistant Conversion Coating and Impact-Resistant PC/ABS

MAINTENANCE

Lamp	Field Replaceable Xenon Short Arc Lamp (Included in Kit #MBA-2400N)
MTBF	1500 hours (Lamp); Maintenance/Replacement Recommended at 1000 hours
Warranty	90 days (Lamps and Batteries); 1 year (All Other Components)

MBPKG-F Maxa Beam Handheld Searchlight

rev. 01/23



POWER

Battery Type	Lithium Iron Phosphate (LiFePO4) 3 Batteries Included
Battery Capacity	7.5 Amp-hours (7500mAh) 96 Watt-hours (Wh)
Battery Charge Cycles	2500
Battery Run Times	

Optional: Upgrade this Package to substitute in the **MBP-1308-FG LiFePO4 Battery with 5-Level LED Fuel Gauge**. Gauge displays battery state of charge and state of health.
To upgrade, add (FG) to end of package part number.

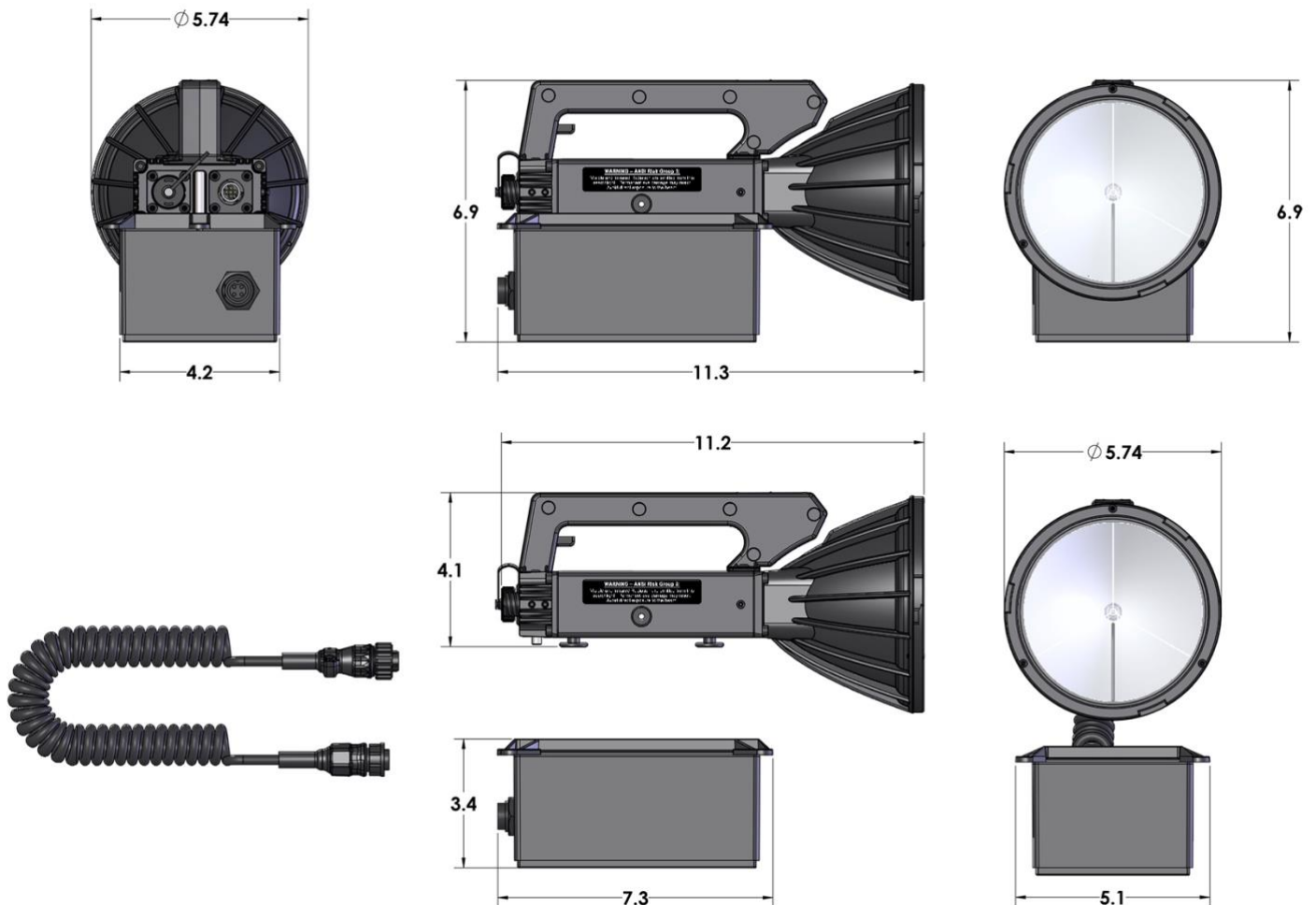
Beam Mode	Run Time
Continuous Regular Beam Mode	115 minutes
Continuous High Beam Mode	75 minutes

Battery Charging	
------------------	--

Input Type	Charge Time
100-240VAC	100 minutes
11-32VDC	100 minutes

Battery Safety Data Sheet (SDS) is available upon request.

PHYSICAL CHARACTERISTICS



Searchlight Weight	3.2 lbs.
Battery Weight	3.0 lbs.
Operational Weight	6.9 lbs.; includes Searchlight, Battery and Coil Cord

Dimensions are in inches.

MBPKG-F Maxa Beam Handheld Searchlight

rev. 01/23



SAFETY WARNINGS

ANSI Risk Group 3. Warning.

Visible and infrared radiation emitted from this searchlight.
Permanent eye damage can result. Avoid direct exposure to the beam.

Do not look directly into the searchlight beam. Exposure of the eye to either the direct searchlight beam or a beam reflected from a flat mirror-like surface can cause permanent eye injury to the unprotected eye. Follow the same precaution even when an Infrared Filter is installed on the searchlight.

Nominal Ocular Hazard Distance (NOHD), Visible Light: 10 meters
NOHD, Infrared Light: 30 meters for exposures greater than 10 seconds

Do not operate searchlight if the front lens is damaged or removed. Ultraviolet injury to skin and cornea can occur if the searchlight is operated with a damaged front lens or if the lens is removed.

Do not allow the concentrated beam of light to be focused on flammable materials at close distances for prolonged periods of time.

Do not operate light in an explosive environment.

Do not touch lamp connections during operation as high voltage is present.

Do not touch the quartz envelope of the lamp. If the lamp is accidentally touched, clean with rubbing alcohol and allow it to dry completely before operating the searchlight.

Always wear protective eyewear, long sleeves, and gloves if removing the front lens cover. The lamp is under positive pressure and should be handled with care.

Always disconnect searchlight from battery when not in use, when placed in storage or when being transported to prevent accidental activation.

Never charge a battery that is cooled below 0°C (32°F). Allow battery to return to room temperature before connecting it to charger.

Do not expose battery to fire or open flame. Do not puncture, deform, incinerate or heat battery above 85°C (185°F).

Do not open or disassemble battery. Batteries are sealed in a waterproof case with no user-serviceable components. Do not attempt to use a battery that has a damaged case; please contact the factory about our re-casing service.

Do not dispose of battery in fire. Disposal must be conducted in accordance with applicable local, state, or national regulations. Batteries contain recyclable materials; recycling is encouraged over disposal.

If storing battery for long periods of time, store battery at 75% charge level and recharge once every six months. Do not store batteries above 60°C (140°F) or below -20°C (-4°F). Store in a cool, dry location not subject to frequent temperature fluctuations.

REVISION HISTORY

4/2006	Searchlight output increased from 6,000,000 CandlePower to 7,500,000 CandlePower (G3-12).
1/2010	Searchlight updated to add control connector (G3-12R).
3/2011	Output increased from 7,500,000 CandlePower to 12,000,000 CandlePower (G3-20).
6/2013	Searchlight front lens upgraded to Spyder Lens (G3-20Y).
5/2016	Searchlight continuous high beam function added (G3-26).
8/8/2016	Battery updated from MBP-1207 NiCad to MBP-1308 LiFePO4 Battery technology; Storage Case updated from MBA-6400 to MBA-6250-W Wheeled Case.
6/1/2018	Charger updated from MBP-3205/MBP-3230 to new MBP-3200-AD Multi-Voltage Smart Charger. Battery Fuel Gauge upgrade option released (FG).
1/1/2023	New reflector coating with improved visible and infrared reflectivity released (G3-26A).



PEAK BEAM SYSTEMS, INC.

3938 Miller Road, Edgemont, PA 19028

1-610-353-8505 (ph) | 1-610-353-8411 (fax)

sales@peakbeam.com | www.peakbeam.com

